

## WFE915SD

90cm stainless steel dual fuel freestanding cooker with a 5 burner gas cooktop, electric multi-function 8 Twin Fan oven, 14.4 mj/h wok burner, 1 set telescopic runners, programmable timer and 125L gross capacity.

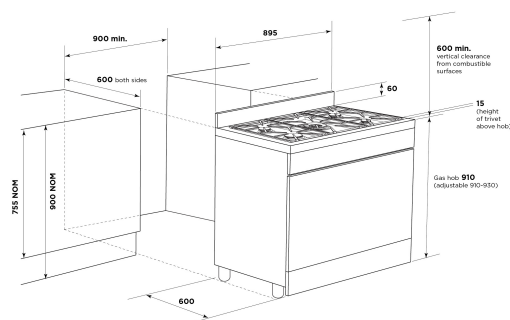


### Features

- Twin Fan System
- High powered 14MJ/h wok burner
- Telescopic runners
- Digital Programmable timer
- Fast Heat Up
- Cast iron trivets
- Stainless steel
- Large 125L gross oven capacity
- Triple glazed oven door glass
- Clip-on plinth included
- Handy storage compartment



WFE915SD,  
WFE916DSD,  
WFE917DSD



### Product Dimension

Total height (mm) - 910, Total width (mm)  
- 895, Total depth (mm) - 600

**IMPORTANT**  
These dimensions are a guide only. All measurements are in millimetres (mm).  
For complete installation instructions, refer to the manual provided with product.